

CONTENTS

I. Safety and Precautions	2
II. External View	4
III. Preparations.....	6
IV. Description of Cell Phone	14
V. Basic Operation	18
VI. Menu Functions	21
VII. Operation of English Editor	45
VIII. Appendix I.....	46
IX. Appendix II	48

I. Safety and Precautions

To use your cell phone safely and effectively, please read the following information before use:

- Please turn off your phone when you are near a chemical plant, a gas station, an oil depot or other explosives.
- Please keep your phone out of the reach of children.
- To ensure safety, please use earphone during driving; otherwise, unless emergency, you should make a call after parking your car by the road side. Do NOT use the phone during driving at high speed!
- Do NOT use your cell phone while in a plane. Please check whether Auto Power On is set or not before boarding.
- Do not use your cell phone in a hospital to avoid interference with the normal operation of medical equipment which may result in a medical accident. If the cell phone is used near a pacemaker, audiphone and some medical electronic equipment, you should pay special attention to that the cell phone may interfere with these devices.
- Auxiliaries and accessories not provided by us are excluded from the guarantee.
- Do not dismantle your cell phone by yourself. In case of a failure, please contact the Authorized service center specified by MAXX.
- Do NOT charge your phone with no battery. Please turn off your phone before removing the battery; otherwise, the phone memory may be damaged.
- The phone should be charged in the environment which is well-ventilated, and should be kept away from the inflammables and explosives.
- To avoid demagnetization, please keep your phone away from magnetic substances, such as magnetic disk, credit card, etc.
- Please be sure the phone isn't exposed to any liquid. If this situation occurs, please remove the battery and contact the service station specified by us.
- Please use your phone in the environment which is neither too hot nor too cold, and do not expose your phone to the strong sunlight or use in high-humidity environment.

- Do NOT use liquid or wet cloth with strong detergent to clean your phone.
- Please use the shooting and audio recording of your phone in accordance with the relevant laws and regulations. Shoot or record without authorization may violate some laws or legislations.
- Do not throw, drop or hit the cell phone during use to avoid damage to the housing or the elements inside the phone.
- Do NOT dispose the worn battery as common domestic rubbish. Please dispose the worn battery according to the specified instruction where the disposal of a worn battery is clearly specified.

<Note>: This user manual is the operating instructions based on the operation mode under English, while it is somewhat different under other languages operation mode.

<Caution>: 1. We will take no responsibility for any result caused by the operation not in accordance with the instructions above or improper operations.

2. The attached data cable of the phone is only suitable for the attached charger. Directly charge the phone through USB interface of your PC or the charger, do NOT charge the phone through any other method.

If any content described in this manual goes against that of your cell phone, please subject to the real cell phone.

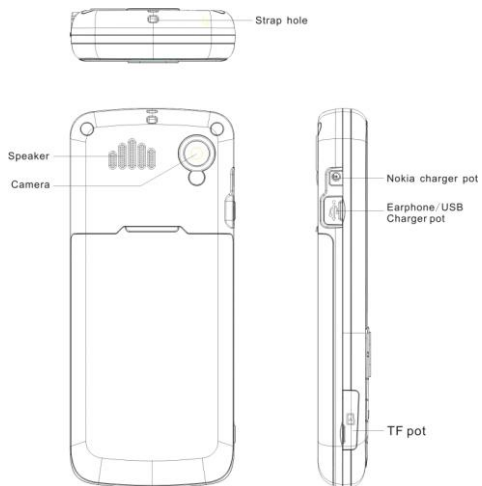
The company is entitled to modify the manual at any time without further notice.

II. External View

Front view of the phone:



Rear view of the phone:



III.

Insta

When

With

the S

can a

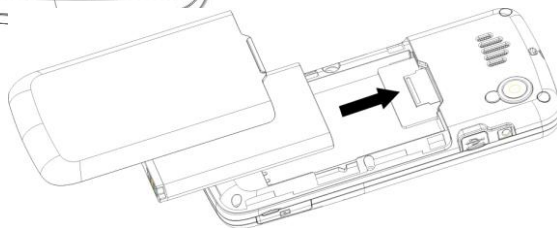
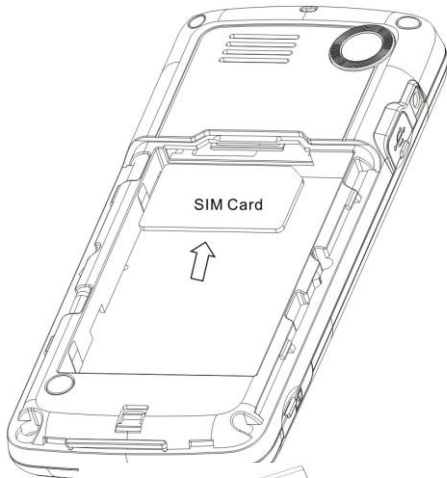
Cauti

contc

To in

slot &

Pleas



d by the network operator.

quired for communication are stored in
k, SMS and other extra system services,

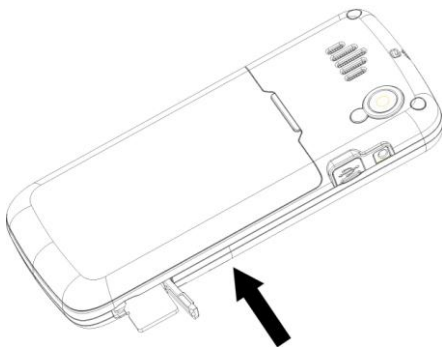
water. If you lost your SIM card, please

insert the SIM card into the SIM card

Caution: Since SIM card is too small, please keep the card out of the reach of the child to avoid swallowing the card by accident!

Installation of memory card

The phone supports use of a TF card as extended memory space. Please install or remove a memory as shown in the figure below.



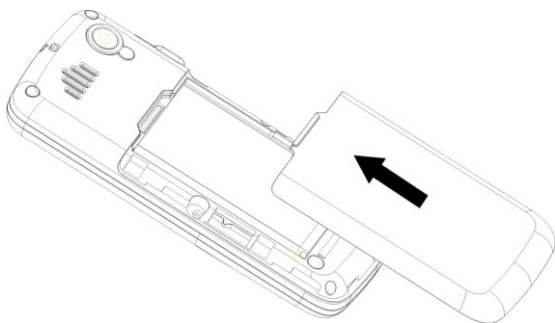
Caution: *Since TF card is too small, please keep the card out of the reach of the child to avoid swallowing the card by accident!*

Tip: *The phone supports a memory card with capacity up to 2GB. It is recommended that only the attached standard TF card and other TF cards of well-known brand like SanDisk and Kingston are used. Other TF cards may be not compatible with the phone.*

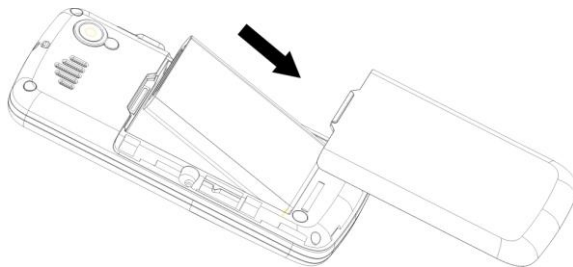
Installation of battery

Please use the original-packaging battery and accessories. Store the battery well if it is not used.

Please install or remove the battery cover as shown in the following figure.



Please switch off the phone before you remove the battery.



Caution: Please follow the correct procedures shown in the figure to prevent damage to the battery contact points.

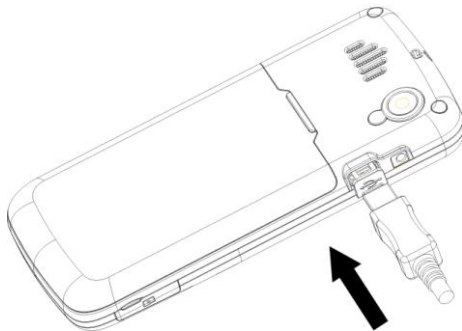
Charging the battery

New battery should be charged and discharged completely for several times to reach its best performance.

When the capacity of the battery is out, please charge it in time. Excessive discharging may damage your battery.

When the battery is fully charged, please unplug the charger from AC power, and then unplug the charger from the phone.

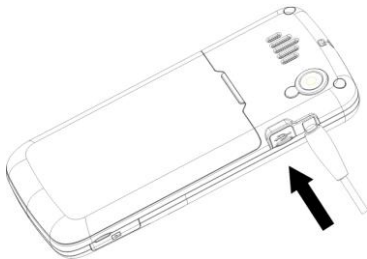
Please connect the charger according to the figure.



When the battery is charged while the cell phone is turned on, the battery capacity indicator on the display will move from the right to the left; when the battery is fully charged, the indicator will stop at the full capacity position.

Caution: It is normal for the battery to feel slightly hot during charging. INPUT DC $\leq 5.8V$.

- ◆ Use genuine charger provided with the box pack



- ◆ Use the compatible charger only for the cell phone.

Insert the charge plug of the cell phone into the transmission interface at bottom of the cell phone.

Insert the power supply plug into the power socket. Battery icon will display the charge state.

After the battery is fully charged, firstly disconnect the power supply, and then disconnect the cell phone with the charger.

While charging, there will be the corresponding animation indicating the current state on the screen .After the battery is fully charged, the battery icon will be in a static state with full blocks.

Use of battery

The performance of the battery is affected by various factors, including the configuration and signal intensity of the wireless signal carrying network, the temperature during use, the functions or settings you select and use, accessories selected for the cell phone, as well as other application mode you use.

For the best battery performance, the battery should be used according the following regulations:

- ◆ Long-time charging is required for the battery which is new or hasn't been used for a long time;
- ◆ While it is charged, please keep the battery in room temperature or the temperature which is close to room temperature;
- ◆ It is normal that the batter which hasn't been used for a long time needs longer time to charge because of gradual loss. However, if the call time is reduced and the charging time is increased after normal charging, you should buy the original battery supplied by us or specified by us. Poor accessory may damage your phone and bring you in danger!
- ◆ If the battery hasn't been used for a long time or the capacity is too low, normal charging interface will be displayed after a period of charging. Please wait for a while.

Caution: *For your safety and environment protection, do NOT dispose the battery everywhere.*

Caution: *Explosion, fire or injury may be caused by any type of battery short-circuit!*

PIN

PIN1: It is a personal identification number used to access the SIM card. It can prevent others from using your SIM card without your permission. If the PIN1 protection has been activated on your phone, the screen will display "Enter PIN" when the cell phone is turned on. While PIN1 is entered, "*" will be displayed instead of the content entered. Once you get the SIM card from the network operator, you can get this PIN1.

PIN2: It is a personal identification number required for using such special services as charged call provided by the network.

PUK and PUK2 (8 digits)

To change the locked PIN, you need to use the PUK (personal unlocking code). To change the locked PIN2, you need to use the PUK2. In case these two passwords aren't provided with the SIM card, please contact the local service supplier for the passwords.

<Caution>: In case of three times of wrong password entry, the SIM card will be locked. Please contact the network operator for help. Deciphering by yourself may cause permanent failure to the SIM card.

IV. Description of Cell Phone

Call key

This key is used to dial or answer a call.

Short press the Call key to access the call log when the phone is in the standby state.

On/Off/On-hook key

This key is used to hang up a call or reject an incoming call.

It can also be used to exit from other applications and return to the standby state.

Long press this key to switch off the phone when the phone is in standby state.

Long press this key to switch on the phone when the phone is power-off.

Direction keys

These keys are used to move the selection bar or cursor.

Press the keys to access the shortcut function when the phone is in standby state.

OK key

This key can be used as the Confirm key when you are browsing the menu.

Number keys

These keys are used to enter numbers or characters.

Long press the number key “1” to access voice mail when the phone is in standby state.

Long press the number key “2” – “9” for speed dial (required to be set).

Long press the “#” key to activate or deactivate the mute mode when the phone is in standby state.

Fast click or long press the “*” key to enter “P”, “+” or “W” when the phone is in number dial interface.

Icons on screen in standby state



Antenna



Alarm on



SMS indication



Battery indicator



Ring. The icon is different according to the alert type selected, including:



Vibrate then ring



Vibrate and ring



Vibrate only



Missed call



Keypad lock



MMS



Service inbox



GPRS



Divert always



Keypad lock

Language & Input Method

Your cell phone supports English & Hindi language and is provided with English & Hindi input methods.

For specific operation, please refer to related paragraphs regarding English editing, where you can know about the method of and switching between input methods in detail.

Incoming call indication mode

Include:

Ring

Vibrate only

Vibrate and ring

Vibrate then ring

Descriptions of nouns

✧ Making a national call

Enter the phone number when the phone in standby state, and press the Call key to make a call.

To make a national call: area code + phone number + Call key.

✧ Making an international call

Fast click or long press the "*" key until the "+" which is the prefix symbol of an international call is displayed. After entering the prefix, enter the complete phone number of the desired country.

To make an international call: "+" country code + complete phone number of area code + Call key.

✧ Calling an extension of a fixed-line phone

To make a fix-line call (excluding the "+"): phone number + "P" + extension number + Call key.

◇ Emergency call

In any country where digital GSM is used, you can make an emergency call if your phone is covered by the network (you can know about this by checking the signal strength indicator bar at the upper corner of the display of the cell phone). If your network operator does not provide roaming service in that area, the screen will display "EMERGENCY CALLS ONLY", telling you that you can make this kind of call only.

* In some areas, the 112 (emergency call) service is a service provided by the network operator. If there is anything abnormal, contact your network operator!

◇ IMEI

International Mobile Equipment Identity. You can see the bar code label printed with this number at the back of the cell phone after you have turned off the cell phone and remove the battery. This number is also stored in the cell phone, and can be displayed when you enter "*#06#" on the screen dial interface.

V. Basic Operation

Switching on the phone

Press and hold the “On/Off” key to switch on the phone. If password protection is not activated for the SIM card and the phone, network search will be automatically started. When the phone is registered to the network, the name of the network operator will be displayed on the screen. In this case, you can dial or answer a call.

If “Please insert SIM card” is displayed after start-up, please turn off the phone and check whether your SIM card is installed securely or installed or not.

After inserting the SIM card, the phone will check whether the SIM card can be used, and then the following indications will be displayed on the screen in order:

- 1) If “Enter password for the phone lock” is displayed, you have enabled the phone lock. (Default password: 1122)
- 2) If “Enter PIN” is displayed, you have enabled the SIM card lock.
- 3) If “No service” is displayed, the network registration fails, and you can't make any call.
- 4) “EMERGENCY CALLS ONLY”-only 112 can be dialed.
- 5) If “Searching” is displayed, the phone is searching for a network until an appropriate service network is found.
- 6) If the name of network operator is displayed, the network registration succeeds.

Switching off the phone

To switch off the phone, please press and hold the On/Off key until the shut-down animation appears and the phone is switched off. Do NOT switch off the phone by removing the battery; otherwise, damage to the SIM card resulting in information loss may occur.

Making a call

- ◆ Enter the phone number when the phone is in standby state, and press the Call key to make a call. To hang up a call or cancel

the dialing, press the On-hook/Cancel key. When a call is answered, the call time is displayed on the screen.

- ◆ To make a call through phone book: Access phone book to search for the desired name/number stored in the phone book, and press the Call key to make a call.
- ◆ To redial a phone number recently dialed: Under the standby condition, press the dialing key to check the list of 60 phone numbers recently received, missed and dialed. Scroll to the desired number or name and press the Call key to make a call.

Adjusting the receiver volume

During a call, you can press the up or down direction key to adjust the receiver volume.

Answering a call

When a call is received, the phone will give indication according to the setting (including Ring, Vibrate, Vibrate and Ring, and Vibrate then Ring).

To answer a call, press the Call key.

To reject a call, press the On/Off key.

If you have applied for the call line identity service, the calling number will be displayed on the screen. If the number has been stored in the phone book, the name corresponding to the number will be displayed on the screen.

Speed dial

Your phone is provided with 8 shortcut keys, of which corresponding phone numbers can be defined by yourself. Long press keys “2”-“9” when the phone is in standby state to activate the speed dial. The “1” key is used for speed dial of voice mail number.

<Note>: For speed dial, click/long press the key for 2 s or above. If you have not set the key for speed dial, no speed dial can be made.

Sending DTMF signal

When sending DTMF signal has been set, you can press the number key and "*" or "#" during a call to send DTMF signal. If this function hasn't been enabled, it is impossible to realize such functions as extension number dialing.

Call waiting

If you have applied for the value-added service of call waiting, the following function menus can be shown by selecting the options during a call.

- ◆ Hold: Current call pauses temporarily, but the line maintains connected.
- ◆ End: It ends current call.
- ◆ New Call: You can access the dialing screen and make another call.
- ◆ Phone Book: You can access the Phone Book directory.
- ◆ SMS: You can access the SMS directory.
- ◆ Record: You can record the current call.
- ◆ Background Sound: You can set the background sound of the current call.
- ◆ Mute: You can turn on/off the microphone.
- ◆ DTMF: You can set whether to send DTMF signal.

Note: These menu options, such as "Hold" and "New Call", can only appear if the local network supports or in specific conditions. For detailed information, please contact the network operator.

Events not responded

When the phone has a new message or missed call, corresponding indicator or icon will be displayed for indication.

Connecting to voice mailbox

Your cell phone allows you to transfer an incoming call to the voice mailbox, and then you will receive a notice of the voice message. (The voice mail center number shall be set first.)

VI. Menu Functions

1. Messages

1.1 SMS

The SMS function is a network service. You may need to apply to the network operator first before you can send and receive short messages.

Your cell phone supports the short message sending function. Short messages are sent to network SMS center first and then sent to subscribers. If the subscriber does not turn on the phone or cannot receive messages (storage is full), the network will keep this message temporarily. The keeping period will be determined jointly by the message sending user's setting and the service operator.

By using the SMS, the phone can send and receive long messages. Sending long messages may affect the charge for the messages. For details, please contact your service operator.

If the capacity for SMS is full, the top row of the screen will display a flashing SMS icon. Some old message shall be deleted before you receive a new message normally.

Note: When you send a short message through SMS network, "Message sent" will be displayed on the screen. That is to say, the phone has sent the message to the message center mailbox set by your phone. But that isn't to say, the specified user has received the message. For more detailed information about SMS, please contact your network operator.

1.1.1 Inbox

You can view the received message in the inbox and perform the following operations.

- ✧ Reply: To reply a received message.
- ✧ Delete: To delete the current message.

- ✧ Delete messages: To delete messages specified.
- ✧ Edit: To edit the current message or send it after edition.
- ✧ Forward: To transfer the current message to the other directly.
- ✧ Copy to phone/SIM: To copy a message from SIM card/phone to phone/SIM card.
- ✧ Transfer to phone/SIM: To transfer a message from SIM card/phone to phone/SIM card.
- ✧ Chat: To initiate a chat with the one who sent the message.
- ✧ Delete all: To delete all messages in the inbox.
- ✧ Copy all: To mutually copy all messages in the SIM card or phone.
- ✧ Transfer all: To mutually transfer all messages in the SIM card or phone.
- ✧ Use number: To save or dial the number of a received message or the number information in the message.
- ✧ Use URL: To copy the URL in a message, and then to add the URL as a bookmark or directly link to the URL. (function is network dependent & require network support)

1.1.2 Outbox

If the “Save and send” is selected when a message is sent, the sent message will be saved in the outbox. You can also save a message you edit in the outbox. If the message is failed to be sent, the message will be saved in the outbox. Corresponding operation can be performed to a message saved in the outbox.

1.1.3 Drafts

You can save an edited message in the Drafts, and perform corresponding operation to a message.

1.1.4 Write Message

You can create a message in this menu.

The phone supports sending a long message having over 160 characters (character number restriction for common text messages). If a message has more than 160 characters, the message will be divided into two or more messages and sent.

Menu options of Create Message are as follows:

- ✧ Close: To access the options for message sending and send the message.
- ✧ Template: To use a built-in template.
- ✧ Insert object: To insert an EMS element like melody, image and flash (requiring support by network operator).
- ✧ Text format: To set the text size (only for English and numbers), font, alignment and new paragraph alignment in the message.
- ✧ Paste number: To paste the selected phone number.
- ✧ To insert contactor: Insert a selected name in the phone book.
- ✧ Insert bookmark: To insert a selected wap bookmark.
- ✧ Input method: To select the desired input method.

Note: Picture message function can be used only when your network operator or service supplier supports the function. Picture message can be received and displayed only by the phone featuring picture message function. However, the normal display of some picture message is supported by the cell phone. For details, please consult the network operator.

1.1.5 Templates

For editing or deleting a template, or creating a new message by using a template.

1.1.6 SMS Settings

You can set some parameters of messages in this menu.

1.1.5.1 Profile setting: To set the name of a profile, SMS center number, message validity period, and message type. To send a

message, the SMS center number shall be provided.

Note: *The number of the SMS center is provided by the network operator. For details, please contact the network operator.*

1.1.5.2 Common setting:

- ◆ Delivery report: The network reports whether the opposite side has received the message and the time received.
- ◆ Reply path: To transfer the reply path to the network terminal. This function requires the support of message center.

1.1.5.3 Memory status: To view the service condition of message memory space.

1.1.5.4 Preferred storage: For setting the memory position for message.

1.1.5.5 Pref. Bearer: To select Prefer GPRS, Prefer GSM, or GSM only. The default status of your cell phone is Prefer GSM.

1.1.5.6 SMS firewall: To switch on/off the SMS firewall. When it is turned on, the numbers listed in the blacklist and message with shielded key words will not be received.

1.1.7 Save Outbox –To choose option between to save or unsave message.

1.2 MMS

A multimedia message can content character, audio clip and picture. Multimedia message of up to 100kB is available on your phone. If the size of a multimedia message is over the limit, the phone can not receive this multimedia message.

The display effect of multimedia messages may vary with different receiving equipment.

Note: *You can use this function only when the service is supported by your network operator or service supplier. Only the device featuring multimedia or Email can receive and display a multimedia message. For details, please contact the network operator.*

1.2.1 Write Message

1.2.1.1 Receiver: To enter the phone number or Email address of the receiver.

1.2.1.2 Cc: To enter the phone number or Email address of the receiver for carbon copy.

1.2.1.3 Bcc: To enter the phone number or Email address of the receiver for blind carbon copy.

1.2.1.4 Subject: To edit the subject of a multimedia message.

1.2.1.5 Edit content: To edit the content of the text of the multimedia message.

This includes the following options:

- ✧ Close: To close the edition of a multimedia message.
- ✧ Input method: To select the input method for edition of a multimedia message.
- ✧ Add image: To insert an image to the multimedia message.
- ✧ Add audio: To insert an audio file to the multimedia message.
- ✧ Add video: To insert a video file to the multimedia message.
- ✧ Add attachment: To insert an attachment to the multimedia message.
- ✧ Add slide before: To insert a new slide ahead of the current slide.
- ✧ Add slide after: To insert a new slide behind the current slide.
- ✧ Add bookmark: To insert a bookmark URL.
- ✧ Preview: To preview the currently edited multimedia message.
- ✧ Slide timing: To set the play time of the current multimedia message slide.

1.2.2 Inbox

You can view the received multimedia message in the inbox and perform the following operations.

- ✧ View: To view a multimedia message, and save the attachment (e.g. image) in the multimedia message.
- ✧ Reply: To reply a multimedia message to the sender directly.
- ✧ Reply by SMS: To reply through SMS.
- ✧ All: To reply all through MMS.

- ❖ Forward: To forward the multimedia message to others.
- ❖ Delete: To delete current multimedia message.
- ❖ Delete all: To delete all multimedia messages in the inbox.
- ❖ Save as template: To save the current MMS as a template.
- ❖ Detail: To view the detailed information of the current multimedia message.
- ❖ Use item: To save the number of the multimedia message and number information in the message to the phone book or dial.

1.2.3 Outbox

You can view a multimedia message failed to be sent. If the “Save and send” is selected when a multimedia message is sent, the message will be saved in the Outbox. Corresponding operation can be performed to a multimedia message in the Outbox.

1.2.4 Drafts

You can save an edited multimedia message in the Drafts, and perform corresponding operation to a message.

1.2.5 Templates

Up to 5 preset multimedia messages have been set in the phone. You can access to perform View, Details, and Create through Template. Also, you can define a new template.

1.2.6 MMS Settings

You can set parameters for MMS or view the memory status in this menu. For detailed information on MMS parameters, please contact your network operator.

1.3 Chat

You can chat with using this instant messaging function .

1.4 Voice Mail Server

Voice mail server is a network service. You may apply for this service beforehand. For detailed information and voice mail server number, please contact your network operator.

- ✧ Edit: To edit or delete your voice mail server number. Press OK to store your number.
- ✧ Connect to voice mail server: To dial the voice mail server number stored in your voice mail server number list.

Tip: Under the standby condition, you can call the voice mailbox number by long pressing the key "1" after you have set the voice mailbox number.

1.5 Broadcast message

Cell broadcast is a service provided by the network operator to send messages such as weather forecast, traffic status, etc. to all GSM subscribers in a specific area.

Note: The realization of the cell broadcast function needs the support of the network. For details, please contact the network operator.

1.4.1 Receive mode: To enable/disable the Broadcast Message.

1.4.2 Read message: When the Broadcast Message has been enabled, the received message can be read after the corresponding server has been enabled.

1.4.3 Language: To enable/disable the all languages of messages received.

1.4.4 Channel setting: To select, add, edit or delete channel numbers.

2. Phone Book

2.1 Quick Search

Input the English initial in area designated by the cursor, you can locate the first record in numbers. For example, if you want to

find the person whose family name is "Zhang", you can quickly find the person by inputting the character "z" in the input area.

2.2 Search contact

You can find the best matched record by entering the name to be searched and then press "Search" in the Phone book.

2.3 Add New Contact

You can add a new entry to the phone, SIM card.

Note: Up to 1000 groups of numbers can be stored in the phone.

Description: If picture link, ring link, and incoming call group are set in a record simultaneously, the incoming call group function will be invalid.

2.4 Multi operation

2.4.1 Copy selected

You can copy all selected phone entries in SIM card and vice versa.

2.4.2 Delete selected

You can delete all selected entries of the SIM card or phone.

2.5 Caller groups

You can set melody, caller picture, group member, etc. to five groups.

2.6 Extra numbers

You can set the number of this phone, service number and emergency number (where, the service number and emergency number need the support of the SIM card. Please contact the network operator for detailed information).

2.7 Settings

- 2.8.1 Memory status: To view the service condition of the phone book storage.
- 2.8.2 Preferred storage: To select the storage directory of the current number.
- 2.8.3 Fields: To select the display item in phonebook and add display item in the record interface.
- 2.8.4 My vCard: To edit or send your name card.

2.8 Caller picture

To set the picture caller ID for callers.

2.9 Caller ringtone

To set the incoming call melody.

3. Call history

3.1 Missed calls: To view the list of last 20 missed calls (requiring network service support).

3.2 Dialed calls: To view the list of the last 20 calls you dialed or tried to dial.

3.3 Received calls: To view the list of the last 20 answered calls (requiring network service support).

3.4 Delete call log: To delete the call history. You can select to delete all numbers in call history, or only delete the numbers listed in Missed Calls, Dialed Calls or Answered Calls.

3.5 Call time:

3.5.1 Last call time: To view the duration of the last call.

3.5.2 Total dialed calls: To view the total duration of all dialed calls.

3.5.3 Total answered calls: To view the total duration of all answered calls.

3.5.4 Reset all time: To reset total duration of all calls.

Note: *The actual call and service time in the service operator's bill may vary. It depends on such factors as network function, accounting rounding-off and tax. For details, please contact your network operator.*

3.6 Call cost: Requires the support of the network operator.

3.6.1 Last call cost: To view the cost of the last call.

3.6.2 Total cost: To view the total cost of all calls.

3.6.3 Reset cost: To reset cost record of all calls. (Please enter PIN2 for this function.)

3.6.4 Max. Cost: To limit the cost within specified amount of pricing unit or currency unit. PIN2 is required for setting the call cost.

3.6.5 Price per unit: This function is supported by your network. For details, please contact your network operator.

3.7 SMS counter: To view the number of messages sent and received.

3.8 GPRS counter:

3.8.1 Last sent: To view the volume of data sent in last linkage.

3.8.2 Last received: To view the volume of data received in last linkage.

3.8.3 Total sent: To view the volume of data sent in all linkages.

3.8.4 Total received: To view the volume of data received in all linkages.

3.8.5 Reset counter: To reset the GPRS counter.

4. Settings

4.1 User Profiles:

Various profiles are provided for your phone. Personalize your phone according to your preference, and then start a profile desired. The profiles available are General, Meeting, Outdoor, Indoor, Headset ,Bluetooth and Power-saving.

In each profile, you can set one of the following options.

- ✧ Tone: To set the tone for incoming calls, alarm, power-on, power-off, messages and key press.
- ✧ Volume: To set the volume of ring tone and key tone.
- ✧ Alert type: Includes Ring, Vibrate, Vibrate and Ring, and Vibrate then Ring.
- ✧ Ring type: To set the ring type, including Single, Repeated and Ascending.
- ✧ Extra tone: Includes four types, Warning, Error, Camp-on, and Connect.
- ✧ Answer mode: Provides any key answer mode.

After personalizing, choose "Activate" to confirm the settings, and the corresponding profile will be activated.

Note: The phone automatically switches to the Headset mode when the headset is plugged, and it restores to the previous mode when the headset is unplugged.

If the headset is plugged in Mute mode, the phone is still in the Mute mode after the headset has been unplugged.

Long press the "#" key when the phone is in the standby state to switch the phone to the Mute mode. Long press it again will restore to the previous mode.

4.2 Phone Setup

4.2.1 Time and Date: With this menu, you can set city, time/date, and time/date format.

- ◆ Set home city: To set the home city.

Note: This option needs application together with the auto time renewal, and needs the network support for the operation of auto time and date renewal.

- ◆ Set time/date: To set the current time and date.

◆ Set format: To set the time and date display format.

Note: It is required to reset the time again when you load battery again or switch on the phone again after charging the battery if you remove the battery from the cell phone or if the battery has already been exhausted for a very long period.

4.2.2 Schedule power On/Off: To set the designated phone On/Off time.

Caution: In particular area (such as airplane compartment) forbidding the use of a cell phone, you shall confirm that the Schedule Power On/Off function is disabled to avoid an accident.

4.2.3 Language: To select the used language for the phone.

4.2.4 Preferred input method: To set the default input method according to your operation habit.

4.2.5 Standby menu display: To set the display style of the standby menu as desired.

4.2.6 Greeting text: To set the greetings on the main screen when the phone is powered on.

4.2.7 Dedicated key: To set shortcuts for direction keys (Up/Down/Left/Right) when the phone is in standby state.

4.2.8 Auto date & time renewal: To enable/disable auto time renewal.

Note: For service condition and detailed information, please contact your network operator or service supplier.

4.2.9 Flight Mode :To choose the settings during flight mode like Normal Mode ,Flight Mode,& query on power on (during this function all network related functions will be switch off & user will have limited access in the phone)

4.3 General Call Setting

4.3.1 Caller ID: Includes Set by Network, Hide ID, and Send ID.

4.3.1.1 Set by network: The number of the phone will be sent as per the default mode when a call is initiated.

4.3.1.2 Hide ID: The number of the phone will not be sent when a call is initiated. If the system doesn't support this function, it may not make a call.

4.3.1.3 Send ID: The number of the phone will be sent when a call is initiated.

Note: *This function requires the network support. For details, please contact the network operator.*

4.3.2 Call waiting: To set functions like activate/deactivate and enquiry call waiting. During call holding and making multi-party calls, this function should be activated first, and network support is required for the specific implementation of the function.

4.3.3 Call divert: It is a network function that can only be used when you apply for this service of the network operator. The function can divert calls that satisfy the conditions to the other caller's phone number you have designated.

Name	Description
All voice calls	Network will divert unconditionally all your incoming calls.
If out of reach	To divert an incoming calls when your phone cannot be reached (the phone is either switched off or out of network coverage).
If not answered	To divert an incoming call after a certain time period during which the call is not answered.
If busy	To divert an incoming call when you have an active call or other operation is busy.
All data calls	Network will divert call incoming calls (requiring support of network).
Cancel all	Cancel all the divert functions.

4.3.4 Call Barring:

4.3.4.1 Outgoing calls:

1. All calls: To restrict all outgoing calls.
2. International calls: To restrict international outgoing calls.
3. International Calls Except to Home PLMN: While you are abroad, you can only call the numbers of the country (where you are) and your home country (at which your service supplier is located).

4.3.4.2 Incoming calls:

1. All calls: To restrict all incoming calls.

2. When roaming: To restrict all incoming calls except the numbers from your local service area.

4.3.4.3 Cancel all: For canceling call barring. (Password for barring is required.)

4.3.4.4 Change barring password: Apply to the network for changing the password for call barring.

4.3.5 Auto redial: To set the auto redial as “On” or “Off”. When your dial doesn't succeed, up to 10 redials for you to try to connect a phone number.

4.3.6 Speed dial: To switch on the speed dial function, and edit the corresponding speed dial number. If the speed dial is "On", then you can long press the corresponding key (2-9) to dial the number designated to the key through the standby interface.

4.3.7 Background sound: To set the background sound played during a call.

4.3.8 More:

4.3.8.1 Call time display: To enable/disable the call duration displayed during a call.

4.3.8.2 Call time reminder: During a call, a sound or a periodic tone sounds every minute to keep you informed of the call duration.

4.3.8.3 Line switching: To choose Line 1 or Line 2.

Note: If the network operator doesn't provide this service, you can't make or answer a call when you select Line 2.

4.3.8.4 Close user group: Requires network support. For details, please contact the local network operator.

Note: Some settings require network support. For details, please contact the local network operator. For example, the call barring requires the local network and SIM card to activate the function before you can make the setting enabled.

4.3.9 Magic Call

To be set for voice during voice call (Normal Male Female Kiddy)

4.3.10 Blacklist

It is used for shielding any incoming call. When the incoming number is listed in the blacklist, the cell phone of the opposite side will give the indication of “No response”.

4.4 Network Setup

Name	Description
Network selection	Search: To search the network again.
	Select network: To select a network.
	Search mode: Auto/Manual.
Preferred network	To select the preferred network.
GPRS connection	To establish connection when necessary and permanent connection switch.

4.5 Security Setup

4.5.1 SIM lock: To unlock or lock the SIM (PIN).

4.5.2 Phone lock: To unlock or lock the phone.

4.5.3 Auto Keypad lock: To unlock or lock the keypad. The time for locking keypad can be set, and the keypad lock can be disabled.

4.5.4 Fixed dial: This function may need the support of SIM card and network operator. When this function is activated, you can only dial the fixed numbers in the fixed dial list. To activate the fixed dial, enter the PIN2.

4.5.5 Barred dial: To unlock or lock restrictions on all or partial calling functions. (This function requires the support of the SIM card.)

4.5.6 Change password: The default password for phone and privacy protection is “1122”. For PIN (i.e. PIN1) and PIN2, please contact your network operator. The default password “1122” can be changed as the desired password of 4 to 8 digits.

4.5.7 Theft Control

You can set this option & use as mobile tracker .To access, enter the password. The default password is “1122”.

4.6 Restore Factory Settings

You can restore some settings of the phone to factory settings. To restore the factory settings, enter the password. The default password is “1122”.

4.7 Shortcuts

You can set a shortcut as needed.

Select a shortcut menu to enter one of the following menu options.

- ✧ Add: To add a new shortcut menu, and edit it to designate the order of the menu.
- ✧ Edit: To edit a new shortcut menu.
- ✧ Delete: To delete the selected shortcut menu.
- ✧ Delete all: To delete all shortcut menus set.
- ✧ Close: To close all selected shortcut menus.
- ✧ Change order: To change the order of shortcut menus.

Note: A specific menu function is available only after the menu of the shortcut function is set to shortcut function of the direction key in the Settings/Phone Settings/Dedicated Key.

5. Services

STK –SIM TOOL KIT (Network dependent feature & require network support to use this function)

New menus may exist according to the services provided by the SIM card.

5.1 WAP

5.1.1 Homepage: To start a connection to the selected URL set in the setting column.

5.1.2 Bookmark: To access or edit a bookmark, or perform operation like Edit, Send, Delete, Delete All, and Add New Bookmark.

5.1.3 Recent pages: To record the recently browsed web sites.

5.1.4 Stored pages: To record the stored pages.

5.1.5 Enter address: To enter the customized address.

5.1.6 Service inbox: To save a PUSH message received by the phone.

5.1.7 Setting: To set some parameters for the WAP browser.

- ✧ Edit profile: Provides profiles for you to set.
- ✧ Browser options: To set the wait time and image display On/Off.
- ✧ Service message settings: To switch On/Off the trusted service messages.
- ✧ Clear cache: To clear the cache.
- ✧ Clear cookies: To clear personal information.
- ✧ Trusted certificate: Provides the trusted certificate supplied with the system.

5.2 Data Account

GSM data: The following account information is provided when GSM data are used.

- ◆ Name
- ◆ Number
- ◆ Account
- ◆ Password
- ◆ Line type

- ◆ Rate
- ◆ DNS

GPRS: The following account information is provided when GPRS data are used.

- ◆ Name
- ◆ GPRS connectivity
- ◆ Account
- ◆ Password
- ◆ Authentication type

Note:

- ◆ *For charge standard and detailed settings, please contact the local network service operator.*
- ◆ *Please contact the local network operator according to the network service used.*

Note: For relevant service charging rate, please contact the local network service operator.

6. Organizer

6.1 Calendar

With this function, you can view the calendar and schedule, and you can schedule with the scheduler to set the schedule and alert. Move the cursor to the desired date with direction keys, and the date will be highlighted in red. If a memo has been set in the schedule of some date, the date is highlighted in red. To view all memos of a day, move the cursor to the date. In this case, the following operation can be performed.

6.1.1 View schedule: To view and set the schedule of a day, move the cursor to the day.

6.1.2 Add schedule: To edit new item for a schedule.

6.1.3 Skip to: To move the cursor to the calendar of the specified date.

6.1.4 View by week: To view the set schedules by week or month.

6.2E-book reader

To Read E-book through this function

6.3To do

To do the things & set reminder.

6.4 Alarm

The time format used in alarm function is the same as the one in clock function. If your phone is off, the alarm can work when the battery has sufficient electric quantity. Alarm time and type, and Snooze time and type can be set for each alarm separately. When the set alarm time is reached, the phone gives out indication tone, and the current time and date are flashing on the screen. Press Stop to stop the ring. In case Sleep is pressed, the phone will stop ringing and ring again when the Snooze time is reached.

Note: Your phone supports Power Off Alarm.

6.5 World clock

With this function, you can view the current time corresponding to countries in the world through left and right keys.

6.6Calculator

- ✧ Eight operators, i.e. “+”, “-”, “×”, “÷”, “m+”, “m-”, “mc”, and “mr”, are provided.
- ✧ Choose the Clear or press the right soft key to clear items entered. Long press the Clear or long press the right soft key to clear all content. Press the “Ok” to show the result of calculation.

Note: The accuracy of this calculator is limited, and the calculator can only be used in simple calculation.

6.7 Stopwatch

Supports typical stopwatch and nWay stopwatch. You can use this function for timing respectively or by circle, or view the record.

7. Multimedia

7.1 Audio Player

Please copy the selected MP3 to the root directory of “My Music” of mobile hard disk (i.e. TF card). Do not store a music in folder like Audio, Images and Photos; otherwise, the music can not be played in the music player.

Note: The phone does not support USB function. Content of the mobile hard disk (i.e. TF card) can only be transferred to a PC with a card reader.

Descriptions of Audio Player options:

- ✧ Play: To play the selected MP3.
- ✧ Details: To view the detailed information of the selected MP3.
- ✧ Add to tone library: To add the selected song to the tone library for selection.
- ✧ Update playlist: To update the playlist of songs.
- ✧ Settings: To set parameters for playing MP3.

7.2 Games

Game settings

Background music: To enable/disable the background music (on in .wav format) for the game.

Sound effect: To enable/disable the sound effect.

7.3 Video Player

Supports .avi files. The following operation can be performed to the selected video file in .avi format.

- ✧ Play: To play a video file.

- ❖ Transfer: To transfer a video file to the desired application.
- ❖ Rename: To rename a video file.
- ❖ Delete: To delete the selected video file.
- ❖ Delete all: To delete all video files.
- ❖ Sort: To sort video files by desired method.
- ❖ Preferred storage: To select the storage directory (cell phone or memory card) for a video file.

7.4 Video Recorder

Choose the icon at the bottom of the screen to start or pause. Access the Options to perform the following settings.

- ❖ Setting: To enable/disable the Night mode.
- ❖ Preferred storage: To select the storage directory (cell phone or memory card) for video files recorded.
- ❖ Reset: To restore settings to the factory settings in video recording mode.

<Note>: The technical platform limits the capacity of each video record within the range of 250–300KB.

7.5 Camera

With this function, you can use the built-in camera of the phone to take a photo, or adjust the camera settings. Photos generated by the camera are in JPG format.

When the phone has insufficient memory space, you should delete some photos previously shot or other files in the "File Manager" function list to release memory space for new pictures.

- ❖ [Image viewer]: To view a saved photo.
- ❖ [Camera settings]: To set the corresponding parameters of the camera.
- ❖ [Photo settings]: To set the corresponding parameters of the photo to be shot.
- ❖ [Preferred storage]: To set the storage directory for photos.
- ❖ [Reset]: To restore the settings of camera to factory settings.

7.6 Image Viewer

The shot photos are stored in the image viewer.

Descriptions of image viewer options:

- ✧ View: To view a photo.
- ✧ Browse mode: To select the mode for browsing photos.
- ✧ Transfer: To transfer a photo to the desired application.
- ✧ Rename: To rename the selected image or photo.
- ✧ Delete: To delete the selected photo.
- ✧ Delete all: To delete all photos.
- ✧ Sort: To sort photos by the desired method.
- ✧ Preferred storage: To set the storage directory for photos.

7.7 Sound Recorder

To make an audio record, select the “Audio Recorder”. Select the "Options" for the selected record file to perform the following operation.

- ✧ Record: To make an audio record.
- ✧ Play: To play a selected record file.
- ✧ Append: Append a record to the designated files in the upper directory. (You can only append a record file in .AMR format.)
- ✧ Rename: To rename the selected record file.
- ✧ Delete: To delete the selected record file.
- ✧ Delete all: To delete all record files.
- ✧ Settings: To set the Preferred Storage, File Format and Quality for record files.
- ✧ Transfer: To transfer a record file to the desired application.

7.8 FM Radio

Turn broadcasting on

- ◆ Channel list: List out all the current channels.
- ◆ Manual input: Input the desired broadcasting channel manually.
- ◆ Automatic search and setup: Automatically search FM and setup.
- ◆ Setting: Set backlight play and cell phone speaker recording format storage device.
- ◆ Record: Record the current played broadcasting.
- ◆ Add: Add the certain completed broadcasting.
- ◆ File list: Display the recorded broadcasting list.

7.9 Scheduled FM Recording –To set recording for the scheduled time.

7.10 Photo Editor –To edit the Photo.

8、 File manager

Manage the picture and MP3 filers through this file manager module.

[Cell phone] – Store in the cell phone.

[Memory card] – Store in T-FLASH card (This item will be displayed in case of memory card in the cell phone)

9、 Bluetooth

Power: Activate/deactivate Bluetooth.

Inquiry Audio Device: Search for Bluetooth devices.

My device: Display device model when connected.

Active device: Display the model of online device.

Setting:

Visibility: Enable/disenable

Change device name: Change the displayed name of this phone device.

Authentication: Enable/disenable

Audio path: Set voice to the phone or to hand free device.

FTP setting: Set directory or directory popedom.

Remote SIM mode: Enable/disenable

My Bluetooth: Introduction of Bluetooth device.

VII. Operation of English Editor

The phone offers several quick text entry methods to facilitate other functions. Generally, you can choose handwriting or keypad to enter characters in field. Press the “#” key to switch between entry methods. Press the “*” key to enter Symbol Selection.

Attention: Click the area for the required text to enter the edit text interface, and the input screen will display automatically the input method of the field. (For example, it will display the numerical keypad automatically in the place where it is required to input the number of person to be contacted.)

English input

The input method for entering English letters (upper and lower case letters). To enter English in the writing field of the screen, set the input method as “ABC” or “abc”. Or click the “↑” key on the soft keypad, and a Simulated English Keypad will be displayed. In this case, you can click English letters with the touch screen pen. Also, you can enter English letters with the keypad.

Each key is used for entering more than one character. Quickly press a key repeatedly until the character you need appear. After the cursor moves, enter the next character.

To enter a space during upper and lower case letter states, press the “0” once.

Choose the “Clear” or press the right soft key to clear the wrong character.

Number input

This input method is mainly used for number entry. When the input method is switched to “123”, you can enter numbers in the input field by handwriting. Or click the “↑” key on the soft keypad, and a Simulated Number Keypad will be displayed. In this case, you can click numbers with the touch screen pen. Also, you can enter numbers with the keypad.

Punctuation input

Press the “*” key in input interface to switch to Punctuation input, and press the direction key to select the desired punctuation.

VIII. Appendix I

Troubleshooting

Failure	Possible cause
Cannot power on	<ol style="list-style-type: none">1. Check that the battery is charged;2. Check that the battery is in place.
SIM card error	<ol style="list-style-type: none">1. The SIM card is dirty. Clean the SIM card.2. Reinstall the SIM card;3. The SIM card is damaged. Replace it with a new one.
Weak signal	Check the signal indicator on the screen. 4 blocks indicate a strong signal, 2 blocks and below indicate a weak signal.
Outgoing calls fail	<ol style="list-style-type: none">1. You may have set the phone as Hide ID to hide the caller ID, but your network operator does not support the service.2. There may be strong interference signals in the ambient environment.3. You may activate the Outgoing Calls in the Call Barring.4. You may activate the Line 2. But your network operator does not support the service.
Battery charge fails	<ol style="list-style-type: none">1. The battery may have been excessively discharged. To charge the battery, it is necessary to connect it to a charger for a certain period of time.2. Performance of battery is degraded.
Cannot connect to the network	<ol style="list-style-type: none">1. The signal is too weak, or there is interference due to wireless signal.2. Check that the SIM card is installed properly and that the SIM card is not damaged. If the SIM card is damaged, please contact your network operator.

Too dark photo	<ol style="list-style-type: none"> 1. The Brightness is set too low. 2. The ambient environment is too dark.
Blurred photo	<ol style="list-style-type: none"> 1. The shot object is constantly moving. 2. The phone shakes slightly the moment you click the shutter.
Photo distortion	The shot object may be too close to the lens.
Cannot enter the service menu	Your SIM card may not support the service.
Only part of the standby image is visible	The image is oversize.

IX. Appendix II

Abbreviations and Explanations

SMS	Short Message Service
EMS	Enhanced Message Service
SIM	Subscriber Identity Module
GSM	Global System for Mobile Communication
PIN	Personal Identity Number
PUK	PIN Unblocking Key
IMEI	International Mobile Equipment Identity
CB	Cell Broadcast
GPRS	General Packet Radio Service
MMS	Multimedia Message service